

## GESTRA Steam Systems

Product Range A7

### Strainers GSF 300

### GSF 300

#### Specification

Y-type strainers with flanged connections.

Screen of corrosion and acid-resistant stainless-steel wire gauze (material DIN no. 1.4401). Sizes from DN 200 mm have an additional support basket of perforated stainless sheet steel, material DIN no. 1.4571.

Overall length conforming to DIN EN 558-1, series 1. Flanges to DIN.

Type	PN	Material
GSF 303	16	EN-GJL-250

#### Special Designs

Screen of other materials, with any mesh size required.

Special corrosion-resistant coatings.

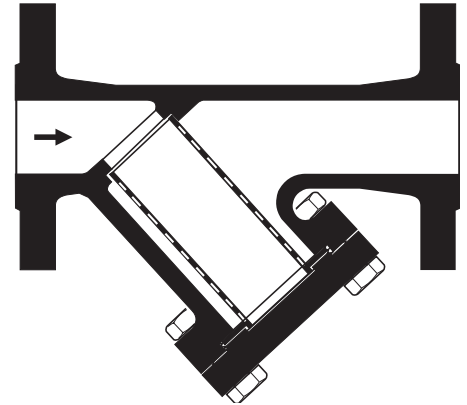
Screen cover with plug or blowdown valve.

Flanged connections to other standards (BSI, ANSI etc.)

Other special designs available on request.

Y-type strainers with flanged connections of cast steel, cast alloy steel, gunmetal or stainless-steel, see data sheet for types GSF 310.

Y-type strainers with screwed connections see data sheet for types GSF 330.



# Strainers GSF 300

## Dimension

The strainers are normally supplied with a single screen. On request, they are available with an additional fine screen, mesh size 0.25 mm.

Coarse or fine screens with mesh size or wire thickness differing from those indicated below are available on request.

## Order and Enquiry Specifications

GESTRA Strainer

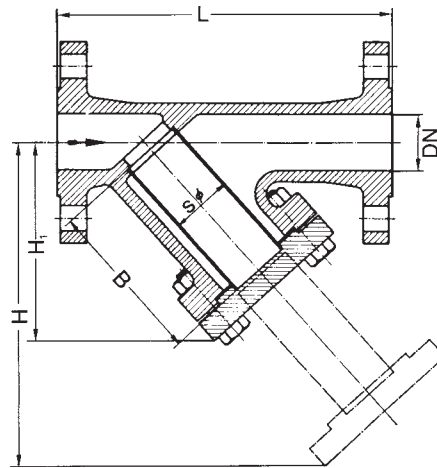
Type GSF .....

DN ..... mm, PN ....., connections .....

Body: EN-GJL-250

Mesh size ..... mm

Screen: stainless-steel wire gauze



## Dimensions in mm and Weights

Nominal sizes [mm]	mm	15	20	25	32	40	50	65	80	100	125	150	200	250	300
		in	½	¾	1	1¼	1½	2	2½	3	4	5	6	8	10
Overall length	L	130	150	160	180	200	230	290	310	350	400	480	600	730	850
Overall height	GSF 303 H <sub>i</sub>	60	72	83	91	113	128	185	205	240	285	328	405	730	850
Overall height	GSF 303 H	103	120	140	150	190	215	315	355	415	475	548	660	880	1100
Screen diameter	GSF 303 S	20	25	29	38	50	60	65	80	95	110	131.5	180	255.5	307.5
Screen length	GSF 303 B	52	62	74	77	97	112	172	193	222	243	287	332	510	620
Mesh size	GSF 303 MA	0.6	0.6	0.6	0.6	0.6	0.6	1.2	1.2	1.2	1.2	1.2	1.5	1.5	
Wire thickness	GSF 303		0.4	0.4	0.4	0.4	0.4	0.8	0.8	0.8	0.8	0.8	1.5	1.5	1.5
K <sub>vs</sub> value	GSF 303		4.9	10.5	15.5	25.9	41.3	61.9	91.5	145.2	197	266	387	617	1140
Zeta value	GSF 303		3.4	2.3	2.6	2.5	2.4	2.6	3.4	3.1	4.1	5.5	5.4	6.7	4.8
Weight [kg]	PN 16, GSF 303		1.9	2.75	4	5.35	6.9	9.55	15.7	21.8	21.35	44.8	63.8	121	171
Plug	GSF 303**)	G	¾	¾	¾	¾	¾	¾	½	½	1	1	1	1	1

Dimensions and weight for DN 350 mm (14") on request.

\*\* not standard

## Service and Test Pressures

Type	PN	Water test pressure in body [bar]	Max. service pressure [barg] at		
			120 °C	200 °C	300 °C
GSF 303	16	24	16	13	10

Supply in accordance with our general terms of business.

# GESTRA AG

Münchener Straße 77, 28215 Bremen, Germany  
Telefon +49 421 3503-0, Telefax +49 421 3503-393  
E-mail info@de.gestra.com, Web www.gestra.de

